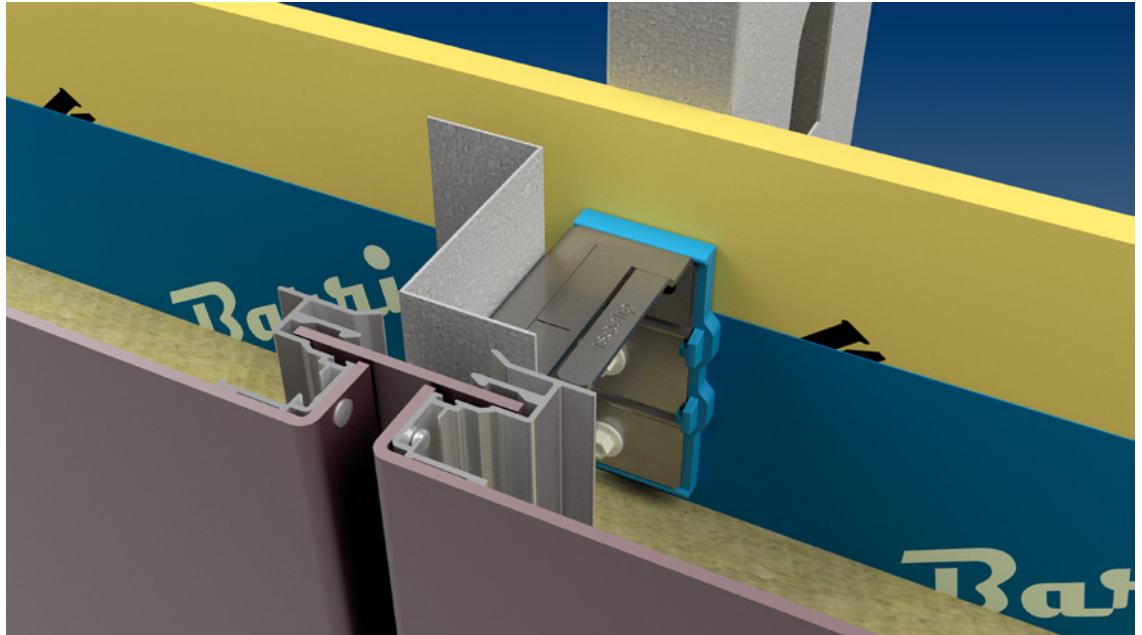


Z-SUBGIRT

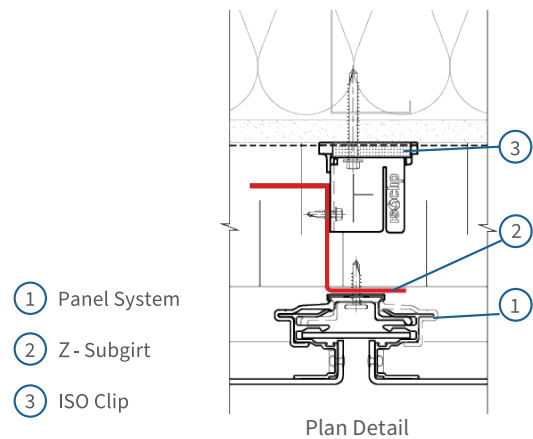
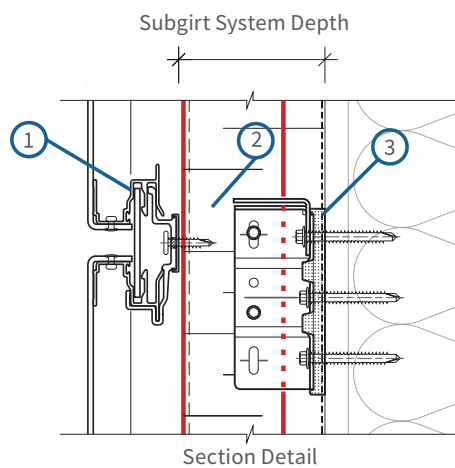
PREFORMED CLADDING SUPPORT

TECHNICAL INFORMATION

VERTICAL Z-SUBGIRT



VERTICAL Z-SUBGIRT SYSTEM UTILIZING ISO CLIPS



- ① Panel System
- ② Z-Subgirt
- ③ ISO Clip

isoclip
THERMAL ISOLATION CLIP

ISOCLIPS.COM
1-844-740-2050
info@isoclips.com

Fabricated by
Northern Facades Ltd.
Northernfacades.com

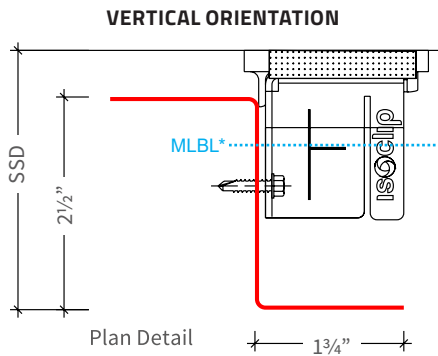
SEE REVERSE SIDE FOR ISO CLIP COMPATIBILITY

Z-SUBGIRT

PREFORMED CLADDING SUPPORT

TECHNICAL INFORMATION

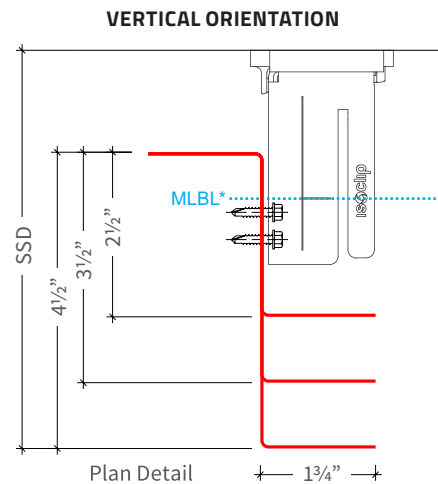
2.0" ISO CLIP COMPATIBLE Z-SUBGIRT



Insulation Depth	Subgirt Dimensions	Subgirt System Depth (SSD)	Profile
3" - 3 1/2"	1 3/4" x 2 1/2" x 1 3/4"	2" - 2 5/8"	A

- Available in Galvanized G90 or Galvalume
- Gauges Available: 20, 18, 16, 14
- Min/Max Lengths Available: 4' - 20'
- MLBL* Subgirt must be installed past the Minimum Load Bearing Line

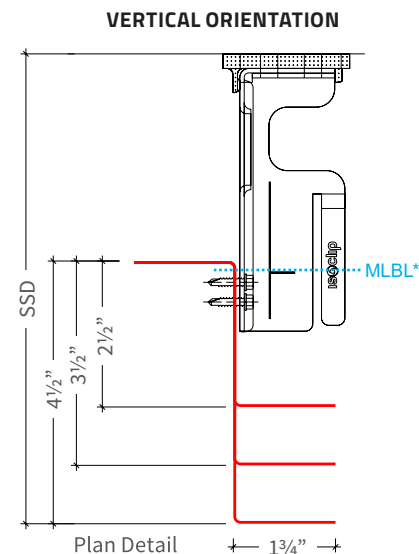
3.25" ISO CLIP COMPATIBLE Z-SUBGIRT



Insulation Depth	Subgirt Dimensions	Subgirt System Depth (SSD)	Profile
4"	1 3/4" x 2 1/2" x 1 3/4"	3 3/4" - 4 3/4"	B
5"	1 3/4" x 3 1/2" x 1 3/4"	4 3/4" - 5 3/4"	C
6"	1 3/4" x 4 1/2" x 1 3/4"	5 3/4" - 6 3/4"	D

- Available in Galvanized G90 or Galvalume
- Gauges Available: 20, 18, 16, 14
- Min/Max Lengths Available: 4' - 20'
- MLBL* Subgirt must be installed past the Minimum Load Bearing Line

4.75" ISO CLIP COMPATIBLE Z-SUBGIRT



Insulation Depth	Subgirt Dimensions	Subgirt System Depth (SSD)	Profile
6"	1 3/4" x 2 1/2" x 1 3/4"	5 1/4" - 6 1/4"	F
7"	1 3/4" x 3 1/2" x 1 3/4"	6 1/4" - 7 1/4"	G
8"	1 3/4" x 4 1/2" x 1 3/4"	7 1/4" - 8 1/4"	H

- Available in Galvanized G90 or Galvalume
- Gauges Available: 20, 18, 16, 14
- Min/Max Lengths Available: 4' - 20'
- MLBL* Subgirt must be installed past the Minimum Load Bearing Line

ISOclip
THERMAL ISOLATION CLIP

ISOCLIPS.COM
1-844-740-2050
info@isoclips.com

Fabricated by
Northern Facades Ltd.
Northernfacades.com